



DAVEY

Whisper™

DAVEY

Typhoon®

**Installation and Operating Instructions**  
**WHISPER Series, TYPHOON C & T-Series**  
**Swimming Pool Pumps**



**WARNING:** Failure to follow these instructions and comply with all applicable codes may cause serious bodily injury and/or property damage.

The installation of this product should be carried out by a person knowledgeable in swimming pool plumbing requirements following the installation instructions provided in this manual.

Please pass these instructions on to the operator of this equipment.

Congratulations on the purchase of a quality product from the Davey Water Products range of Pool and Spa Equipment. You are assured of many years of reliable and super efficient performance from your Davey Whisper/ Typhoon swimming pool pump.

Read these instructions in their entirety before switching on this pump. If you are uncertain as to any of these installation and operating instructions please contact your Davey dealer or the appropriate Davey office as listed on the back of this document.

The Davey Whisper and Typhoon pool pumps have been designed to circulate swimming pool and spa water in conditions set out in the Australian Standard for swimming pool water quality AS 3633 or equivalent. They should not be used for any other purpose without first consulting your Davey Dealer or the Davey Customer Service Centre.

Every Davey product is thoroughly water tested against a number of flow, pressure, voltage, current and mechanical performance parameters. Davey's advanced pump manufacturing technology provides reliable and efficient pumping performance that lasts and lasts.



**Note: The pump is not intended for use by young children or infirm persons without supervision. Please ensure that young children are supervised to ensure that they do not play with the pump.**

## General

The purpose of these instructions is to ensure the correct installation and best performance of our pumps.

These are single cell centrifugal pumps with built-in filter elements, especially designed for prefiltering and recirculation of water in swimming pools.

They are designed to operate with clean water at a maximum temperature of 35°C. All materials used are of top quality; they are subjected to strict controls and verified to extremely demanding standards.

Correct compliance with the installation and operation instructions, and with the electrical connection diagrams, will prevent motor overloads and the consequences of all types that could otherwise result, consequences for which we decline all responsibility.

## Installation



**The installation of our electric pumps is only permitted in swimming pools or ponds that meet DIN standards VDE 0100 part 702/11.82. In case of doubt, inquire with an expert.**

The pump should be installed as near as possible to water level, in horizontal position, in order to obtain a minimum suction path and reduce head losses.

It is not advisable to install the pump at more than 3 m geometrical height from water level.

Independently of the geometrical height and the power of the model chosen, self-priming times may be up to 10 min.

The pump must be fixed on a firm base, with screws of 6 or 8 mm diameter, through the prepared holes in the foot.

The pump should be protected from possible flooding and receive dry ventilation. The pump is to be installed in a manner consistent with the National Wiring Rules.

## Installing the lines

The supports of the suction and discharge lines will be independent of those of the pump. In the case of plastic lines, ensure tightness of joints and threads with TEFLON tape alone. Glue or similar products should not be used.

The suction line should have a diameter equal to or greater than that of the suction mouth of the pump.

The inside of the suction and discharge holes is threaded to a certain depth. This depth should not be exceeded when screwing on the respective lines. Only new or clean connectors should be used.

The suction lines should be structured with a slight slant to prevent the formation of siphons.

## Electrical connection



**IMPORTANT INFORMATION:** Your Davey pump is Double Insulated to Water Circuit. If equipotential bonding structure is required, then a Equipotential Bonding Point is provided. (Please refer to your local statutes and regulations for AS/NZ 3000 Wiring standards).

The electrical installation should have a multiple separation system with contact opening of a least 3mm.

The protection of the system will be based on an RCD ( $I_{fn} = 30 \text{ mA}$ ). If outdoor operation is foreseen, the power supply cord should meet EEC standards (2) or be of type H07 RN-F as per VDE 0250.

Single-phase motors are equipped with built-in thermal protection.

The diagrams in Fig. (1) will allow correct electrical connection.

## Verifications prior to initial start-up



After making the connections defined in the preceding section, unscrew the filter cover and fill the pump prefilter with water to the bottom level of the suction line. Verify that the pump shaft turns freely.



Verify that the mains voltage and frequency match those specified on the nameplate of the pump.

Set the prefilter cover back in place and screw it to a suitable tightness. Check that the turning direction of the motor matches that specified on the fan cover. In three phase motors, if the turning direction is incorrect, reverse two supply phases on the protection panel.

If the motor does not start, try to determine the cause of the irregularity by consulting the list of common faults and their possible solutions, provided in this manual. NEVER RUN THE PUMP DRY.

## Starting

Open all the gate valves and put the motor under voltage. Wait a reasonable time to allow self-priming. Verify the breakaway current and suitable adjust the thermal relay.

## Maintenance



**WARNING:** Ensure that the pump is switched off from the supply mains before removing the cover.



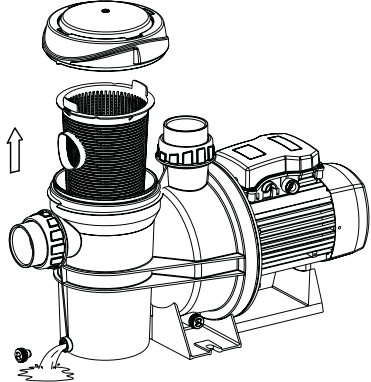
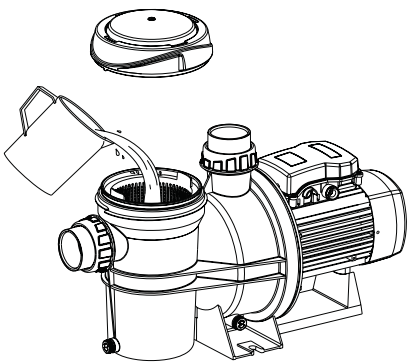
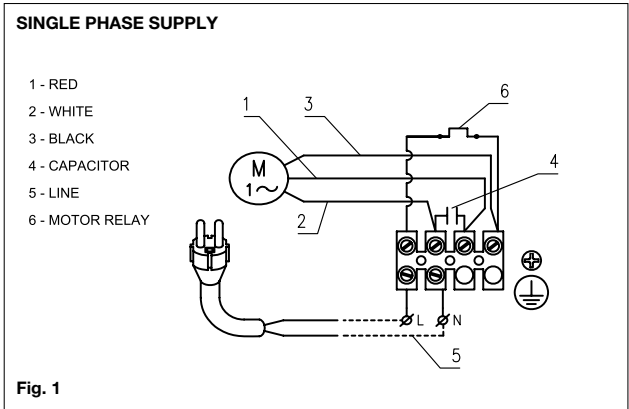
Pumps are not to be plugged permanently to the supply voltage.

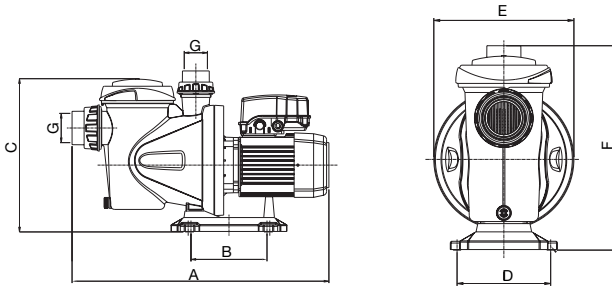
Our pumps do not require any specific maintenance. It is advisable, however, to periodically clean the pump filter and to empty the pump housing in low temperature periods through the blow off plug. If the pump is to remain idle, it is advisable to empty and clean it, and then reinstall the filter cover with oring lubricant on the rubber gasket, taking measures to ensure that the place where the pump is to be stored will remain dry and ventilated.

In the event of breakdown, the user must in no event handle the pump, but must contact an authorised technical service.

When the time comes to dispose of the pump, it contains no toxic or contaminating materials. The principal components are duly identified for selective breaking.

If the supply cord is damaged, it must be replaced by the manufacturer or it's service agent or a similarly qualified person in order to avoid a hazard.





DIMENSIONS																
Model	Q max. (l/min)	H max. (m)	A 1 ~ 230V	C – μF	P1 (kW)	IP	Eff. (%)	dBa ± 1	A (mm)	B (mm)	C (mm)	D (mm)	E (mm)	F (mm)	G (mm)	kg
Whisper 500W	180	12.2	2	12	0.45	55	35	<70	475	115	301	108	212	312	Ø48	7.4
Whisper 750W	230	13.5	2.9	12	0.65	55	42	<70	475	115	301	108	212	312	Ø48	7.7
Whisper 1000W	290	14	3.8	12	0.85	55	50	<70	475	115	301	108	212	312	Ø48	8.5
Typhoon C75M	340	15	5.5	16	1.2	55	47	<70	532	170	345	159	238	330	Ø48	10.7
Typhoon C100M	380	16.5	6.2	16	1.5	55	48	<70	532	170	345	159	238	330	Ø48	11.4
Typhoon C150M	430	18.5	7.1	25	1.6	55	55	<80	560	170	345	159	238	330	Ø48	13.5
Typhoon T150M	500	19	8.5	25	1.9	55	61	71	613	200	397	231	429	270	Ø63	18
Typhoon T200M	550	19.5	9.7	30	2.2	55	64	72	613	200	397	231	429	270	Ø63	20.7
Typhoon T300M	650	22.5	12.5	60	2.6	55	63	73	613	200	397	231	429	270	Ø63	20.6

V/Hz esp.: See pump nameplate Liquid Temperature: 4°C ~ 35°C Storage temperature: -10°C~ +50°C Relative Air Humidity: 95% Max. Motor class: I H max. refers to the maximum total head in metres.

## Possible faults, their causes and solutions

1. Pump does not prime
2. Pump supplies scant flow
3. Pump noisy
4. Pump does not start
5. Motor makes sound but does not start

1	2	3	4	5	Problem	Solution
X	X				Air entry through suction line	Verify condition of connectors and gaskets of suction line
X					Inadequate airtightness of filter cover	Clean the filter cover and verify condition of rubber gasket
X	X				Motor turning direction reversed	Reverse 2 phases of the supply
X					Defective mechanical seal	Change mechanical seal
X	X				Excessive suction height	Set pump at a suitable level
X	X		X		Incorrect voltage	Verify the voltage specified on the nameplate and that of the mains
X					No water in prefilter	Fill prefilter with water
X					Suctioning out of water	Set suction in correct position
	X				Filter clogged	Clean filter
	X	X			Diameter of suction line smaller than required	Correctly dimension suction line
	X				Discharge clogged	Inspect filter and discharge line
		X			Incorrect pump attached	Attach pump correctly
		X			Foreign body in pump	Clean pump and inspect its filter
			X		Thermal relay tripped	Reset thermal relay
			X		Lack of power	Reset the fuses
				X	Motor blocked	Remove the motor and call the technical service

If the supply cord is damaged, it must be replaced by the manufacturer or its service agent or a similar qualified person in order to avoid a hazard.

## Davey Repair or Replacement Guarantee

In the unlikely event in Australia or New Zealand that this Davey product develops any malfunction within warranty periods beginning from the date of original purchase due to faulty materials or manufacture, Davey will at our option repair or replace it for you free of charge, subject to the conditions below.

Should you experience any difficulties with your Davey product, we suggest in the first instance that you contact the Davey Dealer from which you purchased the Davey product. Alternatively you can phone our Customer Service line on 1300 367 866 in Australia, or 0800 654 333 in New Zealand, or send a written letter to Davey at the address listed below. On receipt of your claim, Davey will seek to resolve your difficulties or, if the product is faulty or defective, advise you on how to have your Davey product repaired, obtain a replacement or a refund.

Your Davey Three Year Guarantee naturally does not cover normal wear or tear, replacement of product consumables (i.e. mechanical seals, bearings or capacitors), loss or damage resulting from misuse or negligent handling, improper use for which the product was not designed or advertised, failure to properly follow the provided installation and operating instructions, failure to carry out maintenance, corrosive or abrasive water or other liquid, lightning or high voltage spikes, or unauthorised persons attempting repairs. Where applicable, your Davey product must only be connected to the voltage shown on the nameplate.

Your Davey Guarantee does not cover freight or any other costs incurred in making a claim. Please retain your receipt as proof of purchase; you **MUST** provide evidence of the date of original purchase when claiming under the Davey Guarantee.

Davey shall not be liable for any loss of profits or any consequential, indirect or special loss, damage or injury of any kind whatsoever arising directly or indirectly from Davey products. This limitation does not apply to any liability of Davey for failure to comply with a consumer guarantee applicable to your Davey product under the Australian or New Zealand legislation and does not affect any rights or remedies that may be available to you under the Australian or New Zealand Consumer Legislation.

In Australia, you are entitled to a replacement or refund for a major failure and for compensation for any other reasonably foreseeable loss or damage. You are also entitled to have the goods repaired or replaced if the goods fail to be of acceptable quality and the failure does not amount to a major failure.

Should your Davey product require repair or service after the guarantee period; contact your nearest Davey Dealer or phone the Davey Support Centre on the number listed below.

For a complete list of Davey Dealers visit our website ([davey.com.au](http://davey.com.au)) or call:



Davey Water Products Pty Ltd  
Member of the GUD Group  
ABN 18 066 327 517

### AUSTRALIA

#### Head Office

6 Lakeview Drive,  
Scoresby, Australia 3179  
Ph: 1300 232 839  
Fax: 1300 369 119  
Email: [sales@davey.com.au](mailto:sales@davey.com.au)  
Website: [davey.com.au](http://davey.com.au)

### INTERNATIONAL

#### Australian Head Office

Ph: +613 9730 9124  
Fax: +613 9753 4248  
Email: [export@davey.com.au](mailto:export@davey.com.au)  
Website: [davey.com.au](http://davey.com.au)

### EUROPE

ZAC des Gaulnes  
355 Avenue Henri Schneider  
69330 Meyzieu, France  
Ph: +33 (0) 4 72 13 95 07  
Fax: +33 (0) 4 72 33 64 57  
Email: [info@daveyeurope.eu](mailto:info@daveyeurope.eu)  
Website: [daveyeurope.eu](http://daveyeurope.eu)

### NEW ZEALAND

7 Rockridge Avenue,  
Penrose, Auckland 1061  
Ph: 0800 654 333  
Fax: 0800 654 334  
Email: [sales@dwp.co.nz](mailto:sales@dwp.co.nz)  
Website: [daveynz.co.nz](http://daveynz.co.nz)

### NORTH AMERICA

Ph: +1 866 328 7867  
Email: [export@davey.com.au](mailto:export@davey.com.au)  
Website: [daveyusa.com](http://daveyusa.com)

### MIDDLE EAST

Ph: +971 50 6368764  
Fax: +971 6 5730472  
Email: [info@daveyuae.com](mailto:info@daveyuae.com)  
Website: [daveyuae.com](http://daveyuae.com)