

Depend on Davey

DAVEY

Applications

- Spas
- Swim spas
- Plunge pools

WHY CHOOSE THE Davey EcoSpa Salt Water Brominator?

EcoSpa takes the worry out of sanitising your spa by enabling you to choose the level of sanitiser you desire, constantly monitoring and maintaining the level thereafter regardless of how often the spa is used*. EcoSpa is simple to install on new or existing spas, in ground or portable.

Davey EcoSpa has many benefits

- Simple to operate
- Includes Safety Flow Sensor
- Suitable for all spa surfaces
- Efficient and economical spa sanitising system – power consumption only 40 watts when cell is operating!
- No handling or storing of chlorine or bromine
- Environmentally friendly – salt is a natural product
- Fully automatic, safe and simple to use
- Non irritating to skin and eyes
- Mild salt water has therapeutic benefits
- Reliable ORP control of sanitiser level
- Compatible with Ozomatic Spa Ozone Systems
- Advanced electronic control with LED indicators
- High Flow rate Reverse Polarity Electrolytic Cell
- Compact design
- Quality UV stabilised rust and weatherproof cabinet
- Salt level and ORP indicators
- Long life components with virtually maintenance-free operation

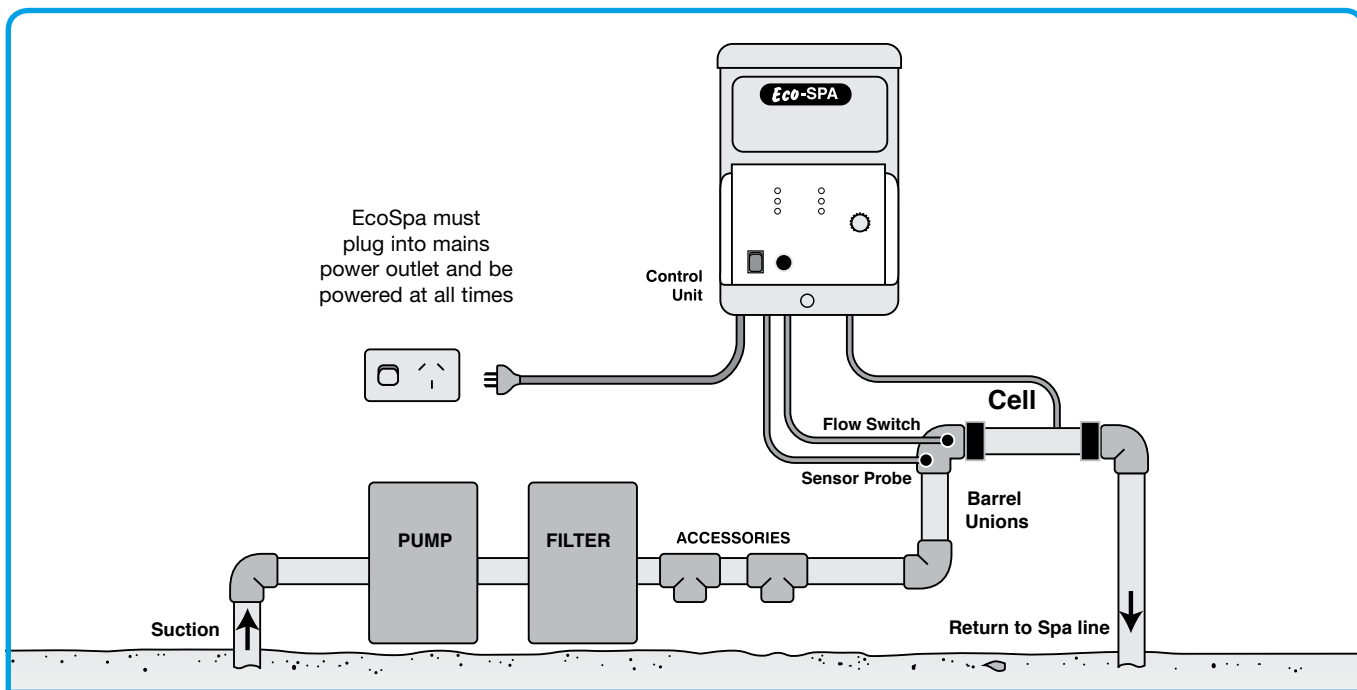
*Suitable for domestic spas only.



DAVEY
EcoSpa®

Salt Water Spa Pool Brominator

Automatic adjustment of sanitiser level in your spa utilising advanced ORP monitoring and control.



DIMENSIONS (mm)									
Power Supply Enclosure					Cell Housing				
Type	Height	Width	Depth	Mounting Holes	Height	Width	Depth	Inlet/Outlet	Plumbing Holes
EcoSpa	230	155	80	18	103	244	85	50	244 (from end to end)

The Process

EcoSpa Systems comprise an Intelligent ORP Controlled Power Supply to operate a virtually maintenance free High Quality Reverse Polarity Electrode. EcoSpa utilises extremely low levels of common salt at a minimum level of 2500ppm (only 5kg per 2000 litres of water). This mild salt water in conjunction with a small amount of EcoSpa Activator enables the water to be electrolysed using a safe and advanced electronic process to sanitise the water in your spa.

Model No.	Description	Spa Pool Size
Includes Controller, Flow Sensor, ORP Probe, Self Cleaning Cell & Bromine Activator.		
M7000AMP	EcoSpa with Amp Cable	2000-3000 litres
M7002	EcoSpa Bromine Activator, 100g	2000-3000 litres
M0653REP	EcoSpa Replacement Cell	

What is ORP Control?

ORP refers to Oxidation Reduction Potential. In these systems an ORP probe monitors the sanitiser level in the spa and automatically adjusts the bromine gas output to maintain an ideal sanitisation level.



davey.com.au | daveynz.co.nz | daveyeurope.eu | daveypoolusa.com

This literature is not a complete guide to product usage. Further information is available from your Davey Dealer, Davey Support Centre and from the relevant product Installation and Operating Instructions. Must be read in conjunction with the relevant product Installation and Operating Instructions and all applicable statutory requirements. Product specifications may change without notice. © Davey is a registered trademark of Davey Water Products Pty Ltd. © Davey Water Products Pty Ltd 2016.