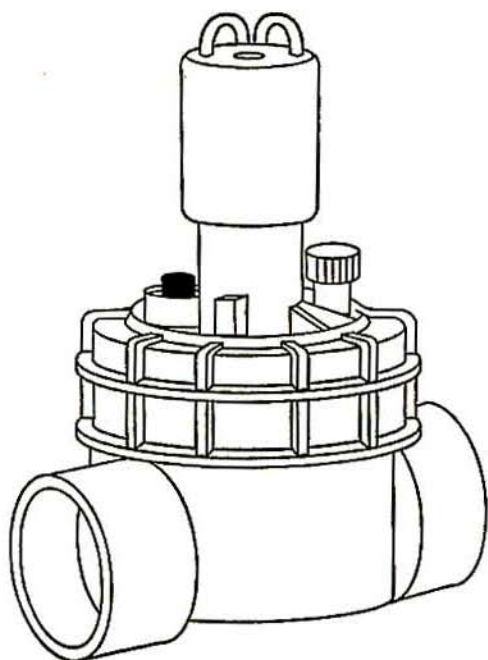


Irritrol[®]

AUTOMATIC VALVE WITH THREADED BONNET



**INSTALLATION AND OPERATING GUIDE
FOR MODELS 2400 and 2600 Series**

INSTALLATION INSTRUCTIONS

The 2400 and 2600 Series valves incorporate a threaded bonnet design. The valves can be operated either electrically or manually.

In areas where freezing conditions occur, make provisions for draining the system and install a stop and waste shut-off valve on the main line feeding the sprinkler system. To assure complete drainage of the valves after the water supply is shut off, electrically energize each valve for at least a few minutes (dry run). This vents the upper cavity of the valve, allowing maximum drainage.

Although the valves are rated to 150 psi, where local pressure exceeds 80 psi, a pressure regulator should be used. (See Uniform Plumbing Code, Sec. 1007 (b). It is advisable to use a regulator with an automatic valve to assure long life as well as uniform and controllable operation.

- Step 1.** Flush the line thoroughly before installing the valve. Use 3 to 5 complete wraps of PTFE tape on the male pipe threads as a sealant; or use PVC pipe cement on slip. **CAUTION: DO NOT PLUG DOWNSTREAM BLEED PORT WITH CEMENT.**
- Step 2.** Screw the valve onto supply pipe threads hand tight. Using a wrench, tighten approximate one additional turn to secure seal. On Slip Modes: Install valve and twist to straighten. **CAUTION: Check flow arrows on the valve before installation.**
- Step 3.** Screw the outlet pipe into the valve with a wrench. Hold the valve by hand as the outlet pipe is tightened.
- Step 4.** Wiring to the valves can be placed underground alongside the pipes. Use approved underground type wire and be sure all splices are soldered or joined with wire nuts and sealed with vinyl cement or other suitable waterproofing cement. Use 18 gauge solid wire plastic jacketed thermostat control wire for runs not over 800 feet and 14 gauge over 800 feet.
- Step 5.** Turn the manual bleed screw counterclockwise. This will allow water to flow through the valves. Tighten the manual bleed screw and the valve will close.

Electrical requirements are 18 volts AC minimum at the solenoid.

Inrush volt-amps	@ 24 VAC=	11.50 VA
Inrush current	@ 24VAC=	.48 AMPS
Holding volt-amps	@ 24 VAC=	5.75 VA
Holding current	@ 24 VAC=	.24 AMPS

MAINTENANCE INSTRUCTIONS

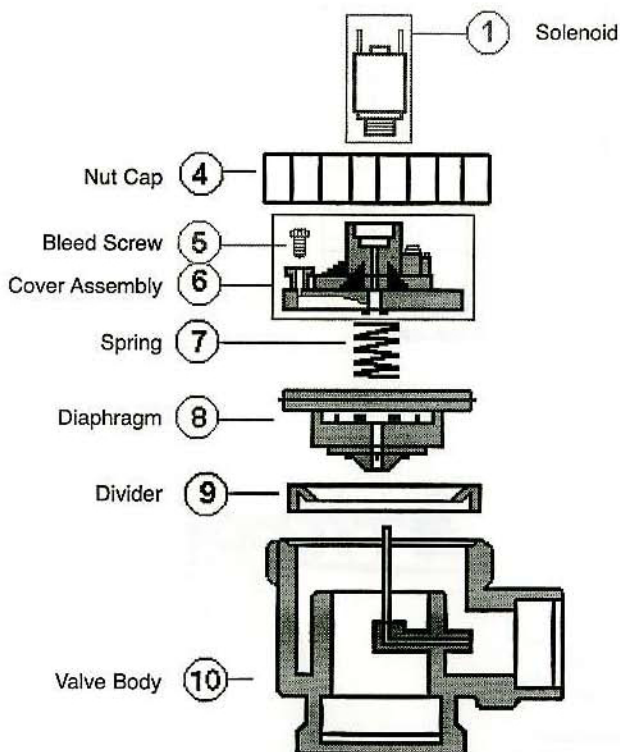
Valves with threaded bonnets are easily disassembled and maintained, without removing the valve body from the circuit.

TO DISASSEMBLE THE VALVE:

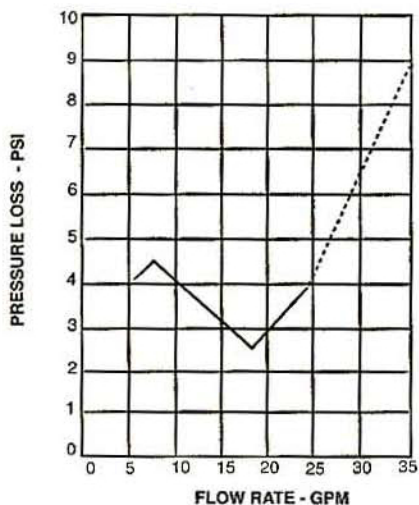
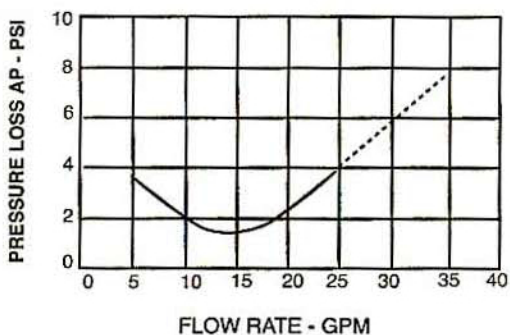
- Step 1.** Shut off the water supply and bleed pressure from the valve.
- Step 2.** Unscrew (counterclockwise) the nut cap (4), then remove the cover assembly (6) by gripping the solenoid and gently rocking back and forth until the cap is loose and lifts off.
- Step 3.** You may then remove the spring (4), diaphragm (5), divider (6).

TO REASSEMBLE THE VALVE

- Step 1.** Into the valve body (10) install the divider (9), the diaphragm (8), (be sure the bead is seated), the spring (7), the cover assembly (6), and nut cap (4).



PRESSURE LOSS CHARTS



Recommended _____

Not Recommended-----

Irritrol®

Product Inquiries
P.O. Box 489
Riverside, CA 92502
1-800-634-8873

1047601 Rev. B

©1997 Irritrol