



Aquashield Centurion Wall mounted UV System

Model Numbers: ASC50, ASC70

Applications

- Filtration and disinfection of rainwater
- Small and medium home potable water supply
- Bore and surface water - subject to water quality

Benefits of Microlene's 3 Stage UV System

Microlene's proven three-stage Filtration and Ultraviolet disinfection systems can provide continuous clean, safe and fresh tasting water from your rainwater tank.

In conjunction with pre-filtration, UV is the best practical option for treating drinking water and is widely used in disinfecting the drinking supplies of not just individual homes, but entire towns.

Automatic UV lamp and pump management systems ensure only disinfected water is delivered. Anti-cycling controllers eliminate energy wasting and nuisance pump cycling, maximising efficiency and convenience.

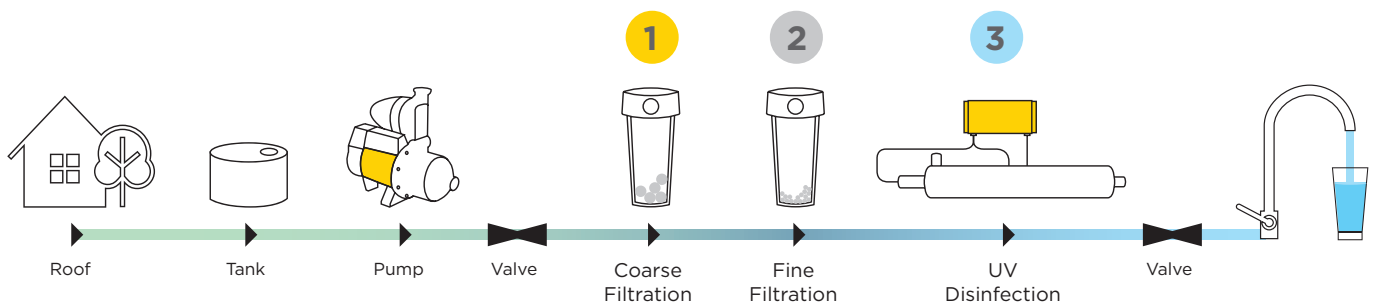
The Aquashield Centurion UV System consists of:

- 20 micron pre-filtration for the removal of dirt, rust, sediment and debris reduction (step 1)
- 1 micron depth filtration for parasitic cyst reduction and further sediment reduction to reduce 'shadowing' of pathogens (step 2)

- Steriflo UV disinfection system with low pressure lamp and test tube quartz sleeve for easy cleaning and high performance (step 3)
- Universal flow direction. Left to right or right to left via the unique bracket
- The active system can be mounted in under 5 minutes
- Lamp count down timer with set limit of 9,000 hours (approximately 1 year) matches lamp life and ensures only disinfected water is delivered*
- Intelligent pump shut-off if the system alarms. Ensuring disinfected water is supplied at all times*
- Override function available if emergency water is required

Note: Cannot treat water contaminated by metals, chemicals or algal toxins.

*Subject to routine maintenance outlined in the installation and operation instructions.



Microlene Aquashield Centurion

Operating Limits

Type	ASC50	ASC70
Maximum flow rate	50 lpm	70 lpm
Maximum system pressure	700 kPa	
Water temperature range	5 - 40°C	
Maximum ambient temperature	50°C	
Lamp life	9,000 hrs (1 year)	

Service

Service intervals will vary depending on incoming water quality

20Qm pleated filter	Wash every 3 months, replace 12 months
1Qm filter	Non-washable, replace 6-12 months
UV lamp	Replace 12 months
UV quartz sleeve	Clean 3 - 6 months

Materials of Construction

Part	Material
Filters	
Filter housing	Glass reinforced polypropylene
20 micron filter	Pleated polyester fabric
1 micron filter	Spun melt polypropylene fabric
Steriflo UV disinfection unit	
Chamber	304 Stainless Steel
Lamp	Low pressure high intensity
Sleeve	Quartz
Other	
Stainless Steel hose	316 Stainless Steel
Wall mounting bracket	Powder coated aluminium

Electrical Data

Supply Voltage	220-240V
Supply frequency	50Hz
Phase	1
Lamp	45W
Input	5.9A
Output	5.7A max

Sizing

Type	ASC50	ASC70
Filter housings	10" jumbo	20" jumbo
Prefilter	10" jumbo 20Qm	20" jumbo 20Qm
Secondary filter	10" jumbo 1Qm	20" jumbo 1Qm
Steriflo - maximum flow	50 lpm	70 lpm

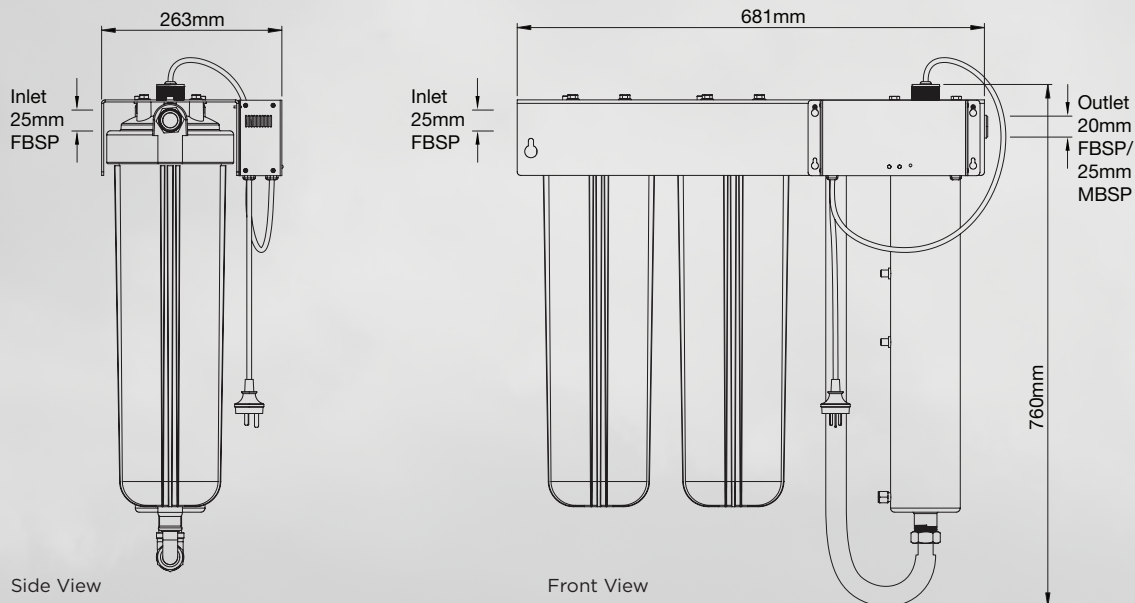
Water Quality

Water quality is extremely important for optimum UV performance. Maximum recommended parameters are as follows:

Iron	<0.3mg/l	Hardness	<120 mg/l
Turbidity	<1 NTU	Manganese	<0.05 mg/l
Tannins	<0.1 mg/l	UVT	>75% at 20°C

Note: UVT of the water can be tested by your local Dealer or by undertaking an appropriate water test.

Dimensions (mm)



700mm clearance is required above the unit for lamp removal and quartz sleeve cleaning.



microlene.com.au | microlene.co.nz

This literature is not a complete guide to product usage. All images provided in this document are for illustration purposes only. Further information is available from your Davey Dealer, Davey Support Centre and from the relevant product Installation and Operating Instructions. Must be read in conjunction with the relevant product Installation and Operating Instructions and all applicable statutory requirements. Product specifications may change without notice. © Davey and Microlene are registered trademarks of Davey Water Products Pty Ltd. © Davey Water Products Pty Ltd 2017.