



Aquashield MAX UV Pressure System

Model Numbers: ASHS60-08T, ASHM60-10T,
ASHS60-08RB, ASHM60-10RB

Applications

- Pressure boosting and disinfection of rainwater
- Large home potable water supply
- School shower and toilet blocks
- Guest house potable water supply

Benefits of Microlene's Aquashield Packaged UV Pressure System

Davey's proven 3 stage water disinfection & filtration process will ensure a safe and hygienic water supply*.

Factory matched and tested package ensures the correct UV dosage is delivered with high reliability.

Suitable for both tank only and mains water back-up installations, and for bore and surface water treatment - subject to water quality.

Pump interlock detects lamp failure and locks pump out ensuring only disinfected water is delivered.

Lamp count down timer with set limit of 9000 hours (1 year) matches lamp life and ensures only disinfected water is delivered.

Durable UV resistant cover allows for flexible, vandal resistant, exterior installation.

RainBank2 controller option

- Provides seamless automatic mains water back-up and source indication
- Automatically reverts to mains water if power fails or pump is removed

Torrium2 TT70 controller option

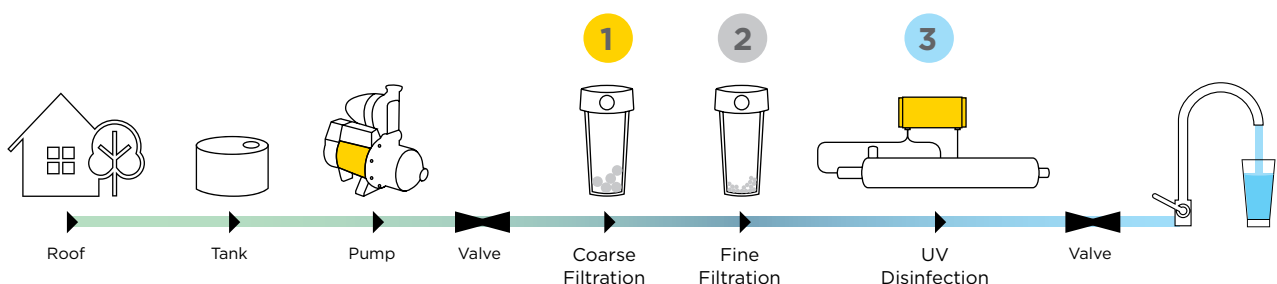
- Intelligent automatic pump control maximises pump efficiency by adjusting run on time and cut in pressures

High efficiency Steriflo UV disinfection system with low pressure lamp and test tube quartz sleeve for easy cleaning and high performance.

20 micron pre-filtration for long cleaning intervals with dirt, rust, sediment and debris reduction.

1 micron filtration for parasitic cyst reduction and further sediment reduction to reduce 'shadowing' of bacteria and viruses.

*Cannot treat water contaminated by metals, chemicals, algal toxins or radiation

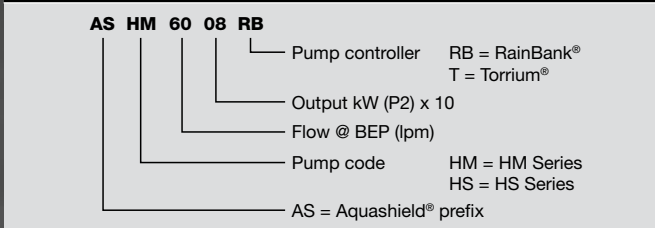


Microlene Aquashield UV System

Operating Limits

Capacities to	70 lpm
Maximum system pressure	700 kPa
Max. Mains water pressure for RB models	850 kPa
Water temperature range	8°C – 40°C
Maximum ambient temperature	50°C
Lamp life	9,000 hrs (1 year)

Identification Of The System



Service Intervals**

20 micron filter	Clean Replace	3 months up to 12 months
1 micron filter	Replace	up to 12 months
UV lamp	Replace	12 months
UV Quartz Sleeve	Clean	3-6 months

**Will vary depending on water quality. Check pressure drop 'Gauge Set'. Based on clean rainwater.

Replacement Parts

Code	Description
GPH550N2/W	Steriflo Lamp
TT600	Steriflo Quartz Sleeve
S24X3N70	Steriflo Oring
20PP20J	20 micron pleated filter
1PS20J	1 micron spun filter

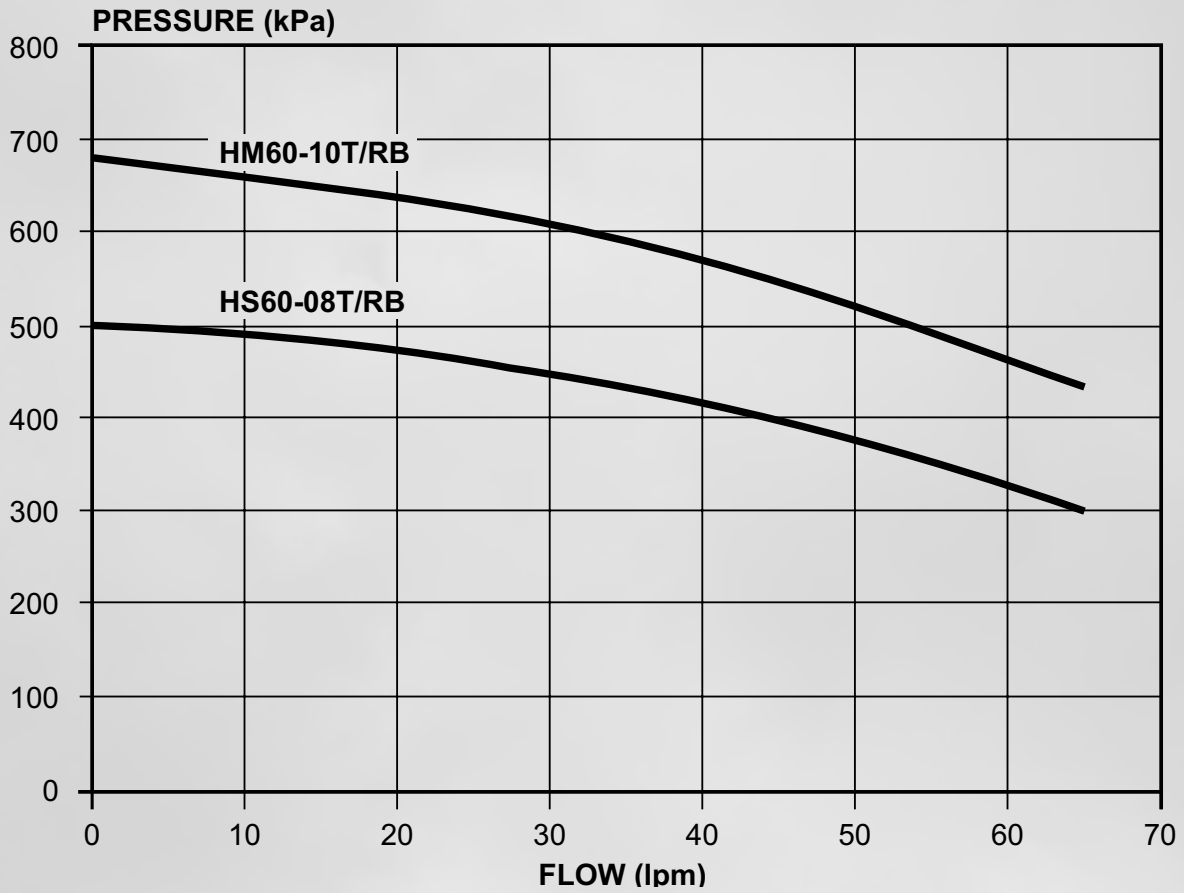
Materials Of Construction

Part		Material
Housing		
Cover		Polyethylene
Frame		304 stainless steel
Surface pumps		
Pump casing		304 stainless steel
Pump backplate		304 stainless steel
Pump stages	HM HS	304 stainless steel Glass filled noryl
Pump impellers	HM HS	304 stainless steel Glass filled polycarbonate
Pump shaft	HM HS	316L stainless steel 303 stainless steel
Neck rings	HM HS	Teflon Polypropylene & teflon
Mechanical seal		Carbon / ceramic
O-rings	HM HS	EPDM Nitrile rubber
Motor shell & lantern bracket		Marine grade aluminium with baked polyester powder coat
Controller - Torrium2		
Housing		Glass reinforced nylon
Diaphragm		Santoprene 87
Springs		Molybond coated tempered steel
Sensor plate		316 stainless steel
Inlet union		Glass reinforced nylon
Orings		Nitrile
Controller - RainBank		
Housing		Glass reinforced nylon
Diaphragm		Santoprene 87
Springs		D.R Brass
Sensor plate		316 stainless steel
Filters		
Filter housing		Glass reinforced polypropylene
20 micron filter		Pleated polyester fabric
1 micron filter		Spun melt polypropylene fabric
Steriflo UV disinfection unit		
Chamber		304 stainless steel
Lamp		Low pressure high intensity
Sleeve		Quartz
Pipework		
Braided hose		Silicone lined stainless steel



Microlene Aquashield UV System

Hydraulic Performance

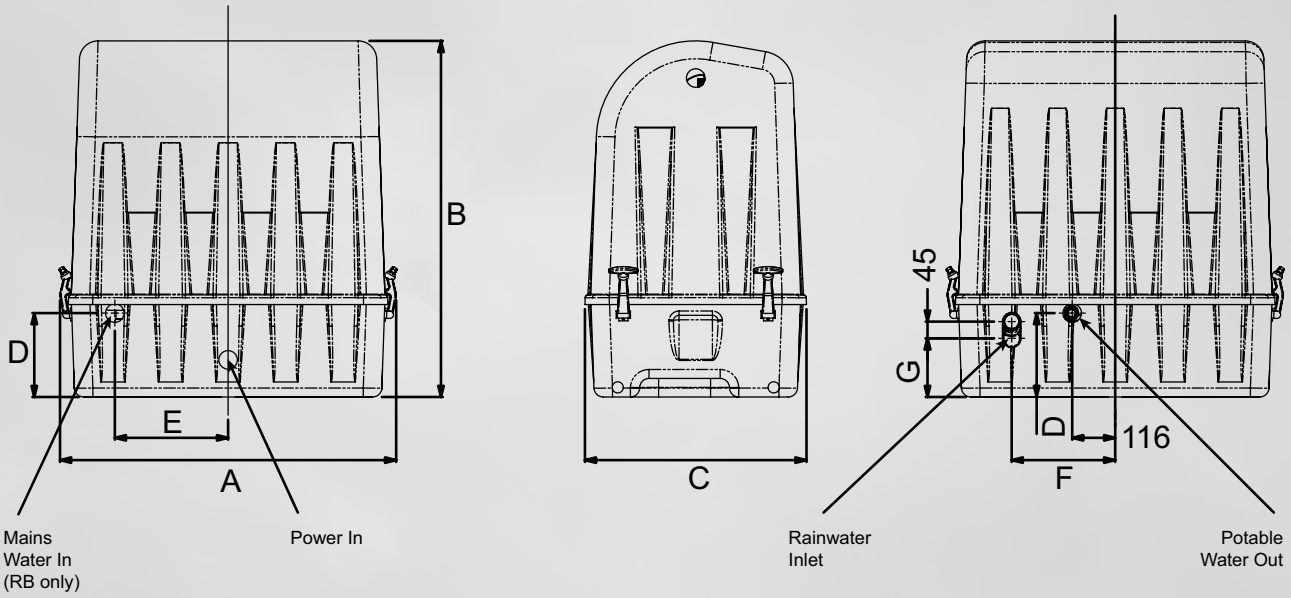


Note: Do not flow water over 70 lpm.



Microlene Aquashield UV System

Dimensions (mm) – Aquashield MAX



Model	A	B	C	D	E	F	G	Inlet	Outlet	Weight (kg)
ASHS60-08T	905	960	597	226	305	279	158	32	25	92
ASHS60-10RB	905	960	597	226	305	279	158	32	25	96



microlene.com.au | microlene.co.nz

This literature is not a complete guide to product usage. All images provided in this document are for illustration purposes only. Further information is available from your Davey Dealer, Davey Support Centre and from the relevant product Installation and Operating Instructions. Must be read in conjunction with the relevant product Installation and Operating Instructions and all applicable statutory requirements. Product specifications may change without notice. © Davey and Microlene are registered trademarks of Davey Water Products Pty Ltd. © Davey Water Products Pty Ltd 2019.